

## Side mounting

Righetti offers you **GARDA 2 AY+**, a complete glass railing system including **EVA tempered laminated glass** and its fixing system on profile **TRANSLEVEL®** by **ONLEVEL**.

This glass railing profile is suitable **for indoor installation with underfloor heating**, as well as for outdoor installations on **terraces with pedestal-mounted slabs**. It can also be attached to **metal structures**.

This profile is suitable for **tempered laminated glass 8.8/2 or 10.10/3**.

It can only be used for a private use, without technical approval.

### | EVA tempered laminated glass

Thanks to our manufacturing process of water-resistant **EVA laminated glass**, our outdoor glass railings do not present any **risk of delamination** over time, unlike PVB laminated glass.

Our bespoke glass railings therefore don't require a framing on all four sides or handrails.

### | Mounting

**GARDA 2 AY+** can be side mounted.

The aluminum profile is installed continuously without a post, with or without a handrail.

It is suitable for :

- **Underfloor heating**
- **Terrace with pedestal-mounted slabs**
- **Metal structure**
- **Also suitable for stair glass railings**

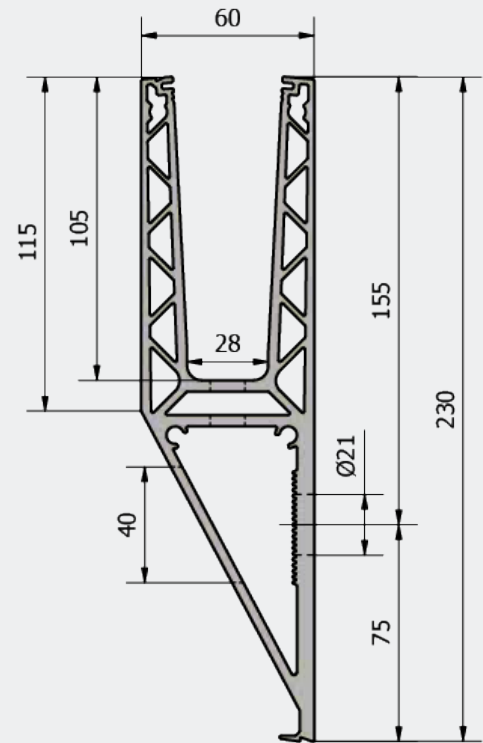
### | Flexfit installation system

**Onlevel's Flexfit system** enables installation on the **balcony side only**, rather than on the void side. It allows perfect, fast and safe alignment of glasses, while offering improved safety conditions.

## Technical information

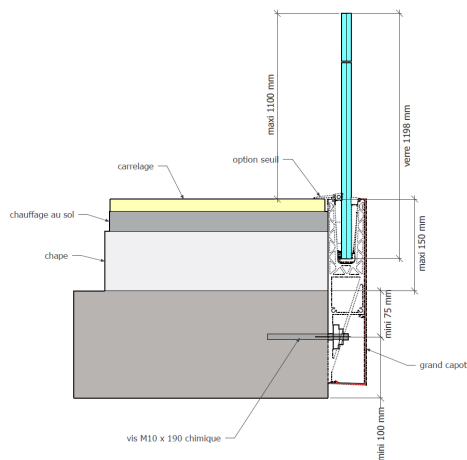
- Tempered laminated glass 8.8/2 or 10.10/3
- Private use only
- Max. offset : 150 mm
- Fixing center distance : 250 mm
- Dimensioning of the dowels to be determined based on the substrate
- Height adjustment possible with mounting block
- Drainage system : water drainage opening
- Possible to add a top cover and threshold bar
- ONLEVEL FLEXFIT glass installation system

## Profile dimensions

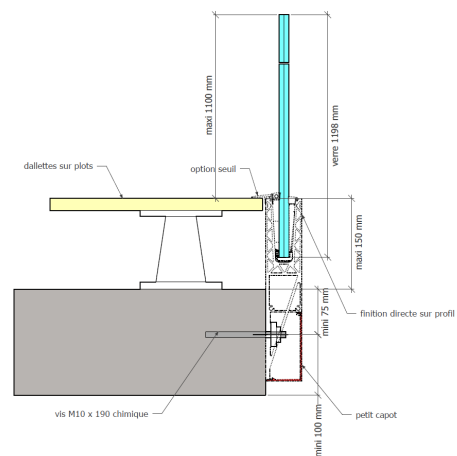


## Detailed drawings according to type of installation

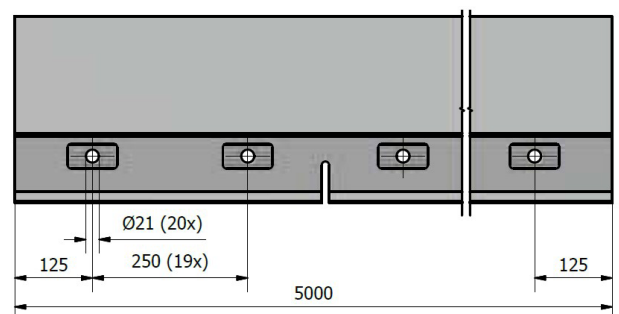
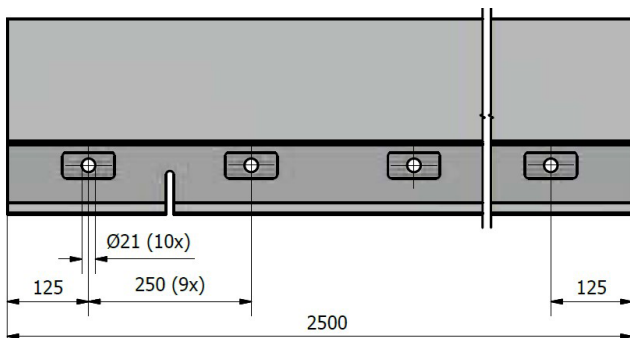
### Installation on underfloor heating



### Installation on terrace with pedestal-mounted slabs



## Drills spacing

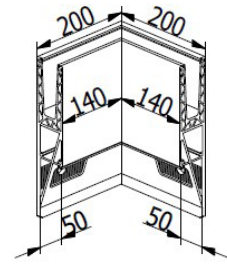


## | Accessories

### Interior 90° angle



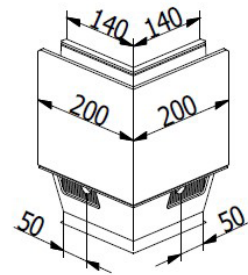
- Inner side length: 140 mm
- Outer side length: 200 mm



### Exterior 90° angle



- Inner side length: 140 mm
- Outer side length: 200 mm



### End cap with right cover



- Can be used on the right



### End cap with left cover



- Can be used on the left



### Mounting block



- Required quantity for 2 meters: 10 units

